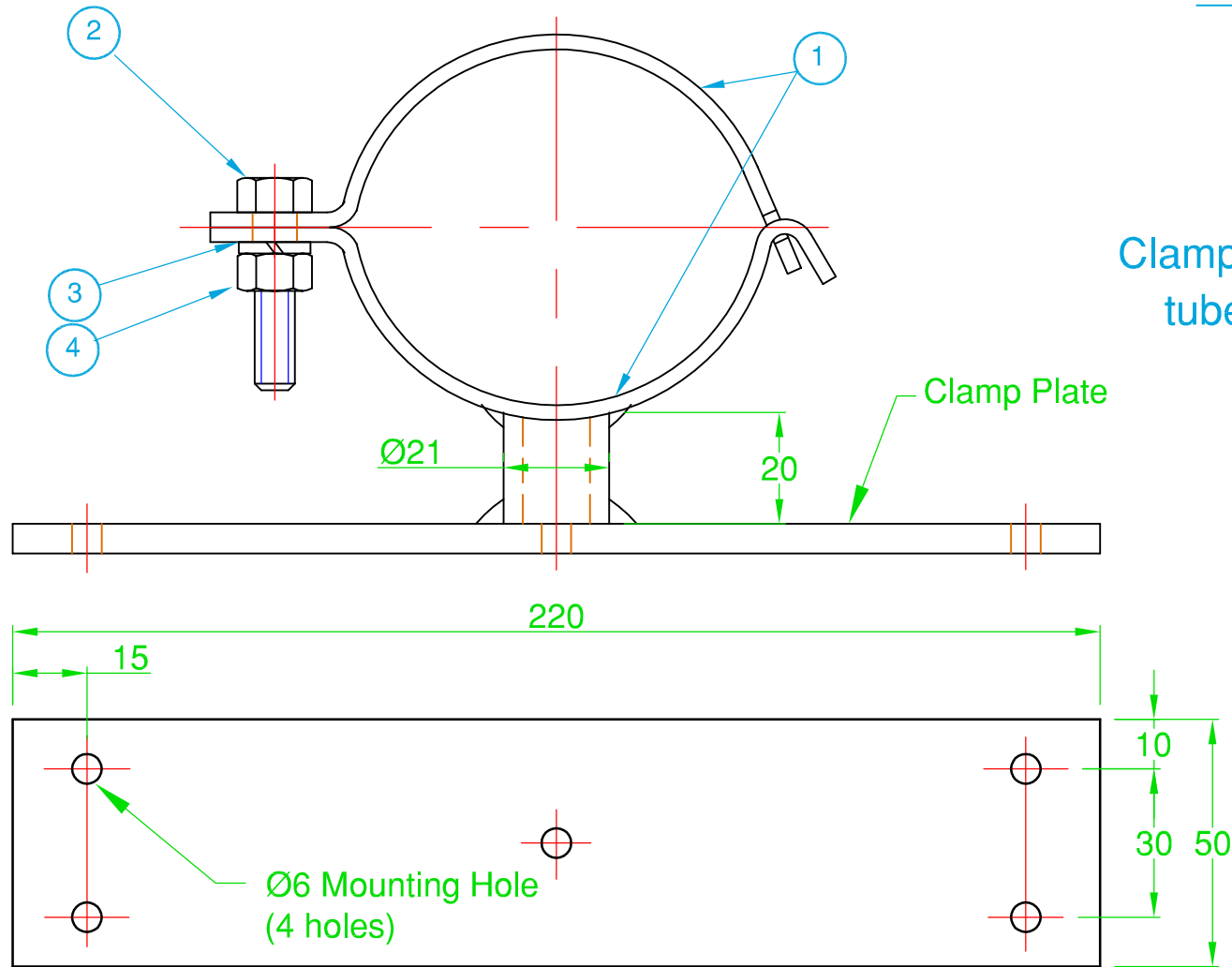


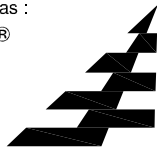
Assembly Sketch

WMB-XL Stainless Steel

Clamp to suit $\text{Ø}83$ max. round tube or down to $\text{Ø}70$ with packing inside



G-Tech Communication Services Pty. Ltd. Trading as :
ZCG SCALAR[®]
 DESIGNERS AND MANUFACTURERS OF RADIO FREQUENCY ANTENNAS
 Hall Street, Lindenow, Victoria, Australia.
 Tel: (03) 5157 1203 Fax: (03) 5157 1641



PARTS SUPPLIED:

4	Nut, 'Nyloc', Hex, M8, Stainless Steel Gr. 316	1
3	Washer, Spring, M8, Stainless Steel	1
2	Bolt, M8, Stainless Steel	1
1	Clamp Assembly (2 parts)	1
Item	Description	Quantity.

Copyright - **G-Tech** Communication Services Pty. Ltd. No part of this Drawing is to be reproduced without Written Authority

1773-3-B.dwg LM 07-02-14